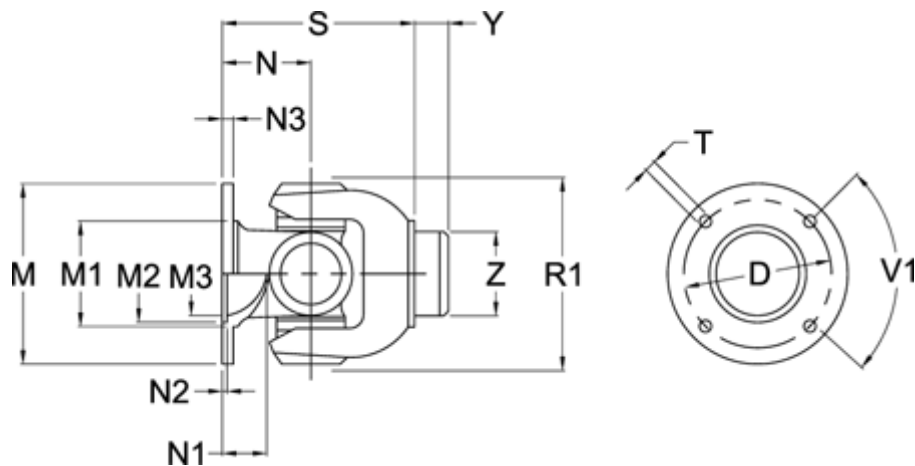


Article number: 07106051001

Description: Universal joint single 0.106.051.001
S=64 X= Bore with keyway

Measures



D	= 62 +-0,1	N2	= 2,2 +0,3	Z = 29.25
Flange diameter M	= 75	N3	= 5.5	
M1	= 46	Number og Flangeholes	= 6	
M2	= 42	R1	= 60	
M3	= 38	S min	= 64	
Max. Bending Angle degrees	= 20	T	= 6 B12	
N	= 32	V1 degrees	= 60	
N1	= 15	Y	= 13	